

MULTI-PORT SERIES INDUSTRIAL BALL VALVE

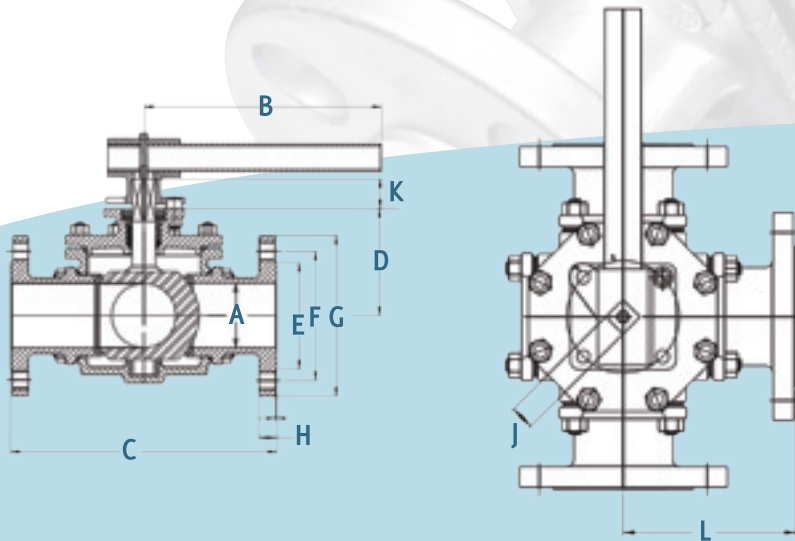
Features & Specifications

- » ASTM 316 grade stainless steel
- » 150# and 300# ANSI flanged ends available
- » Live loaded stem packing
- » Full port L or T port design, also available in 4-way option
- » Direct mounting ISO 5211 mounting pad
- » Investment cast and sand cast body construction
- » Meets international standards
- » Cost effective solution by reducing amount of valves needed in system
- » 1000 PSI WOG
- » ½"–12" size range



EA-36-150-FE

See material chart at right



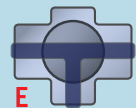
Size	A	B	C	D	E	F	G	H	J (mm)	K (mm)	L	ISO5211
½	0.59	5.12	5.98	1.61	1.38	2.38	3.50	0.44	9	11	2.99	F03/F04
¾	0.79	6.50	6.57	1.93	1.69	2.76	3.86	0.44	11	14	3.29	F04/F05
1	0.98	6.50	7.48	2.17	2.01	3.13	4.25	0.44	11	14	3.74	F04/F05
1¼	1.26	8.07	8.19	2.48	2.52	3.50	4.61	0.50	14	18	4.10	F05/F07
1½	1.50	8.07	8.66	2.91	2.87	3.88	5.00	0.56	14	18	4.33	F05/F07
2	1.97	12.80	9.96	3.66	3.62	4.74	5.98	0.62	17	23	4.98	F07/F10
2½	2.44	15.75	11.81	4.67	4.13	5.49	7.01	0.70	22	25	5.91	F10
3	2.99	19.69	12.01	5.37	5.00	6.00	7.48	0.75	22	25	6.01	F10
4	3.78	25.59	14.51	6.16	6.18	7.50	9.02	0.94	22	25	7.26	F10
6	5.91	47.24	16.81	6.28	8.50	9.51	11.00	1.00	36	36	8.41	F12

L-Port

T-Port



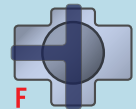
A



E



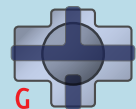
B



F



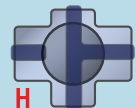
C



G



D



H

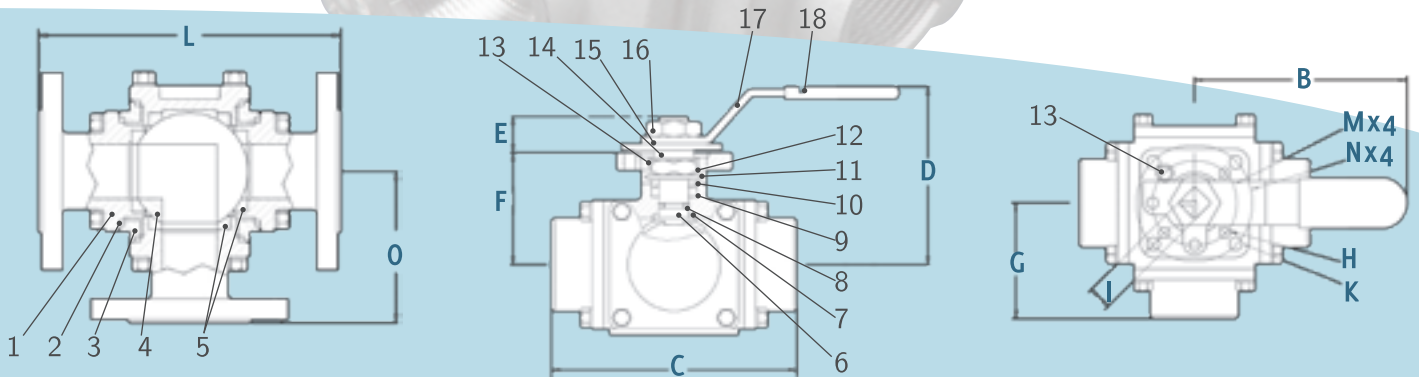
DIRECT MOUNT EA-36-150-FE & EA-36-10



EA-36-10

Item	Part (Qty)	Material	
1	End Caps (3)	A351 Gr. CG8M	A216 Gr. WCB
2	Gasket (4)	PTFE	
3	Body	A351 Gr. CG8M	A216 Gr. WCB
4	Ball	SS 316	
5	Seat (4)	15% Carbon + PTFE	
6	Stem	SS 316	
7	Stem Seal	PTFE	
8	O-ring	VITON®	
9	Stem Packing	PTFE	
10	Gland	SS 304	
11	Belleville Washer (2)	SS 301	
12	Stem Nut	SS 304	
13	Nut Stop	SS 304	
14	Space Washer	SS 304	
15	Lock Saddle	SS 304	
16	Handle Nut	SS 304	
17	Handle	SS 304	
18	Handle Sleeve	Vinyl	
19	Stop Pin	SS 304	

*Available in NPT, socket-weld, and butt-weld ends



Size	A	B	C	D	E	F	G	H	I	K	L	M	N	O	ISO5211
¼	3.46	5.12	3.46	2.44	0.39	1.52	1.73	1.65	0.35	1.42	3.46	0.24	0.24	1.73	F03/F04
⅜	3.46	5.12	3.46	2.44	0.39	1.52	1.73	1.65	0.35	1.42	3.46	0.24	0.24	1.73	F03/F04
½	3.59	5.12	0.59	2.52	0.39	1.61	2.07	1.65	0.35	1.42	0.59	0.24	0.24	1.80	F03/F04
¾	4.41	6.50	4.41	3.23	0.51	1.93	2.07	1.97	0.43	1.65	4.41	0.28	0.24	2.21	F04/F05
1	5.04	6.50	5.04	3.50	0.51	2.17	2.76	1.97	0.43	1.65	5.04	0.28	0.24	2.52	F04/F05
1¼	5.51	8.07	5.51	3.86	0.67	2.48	2.52	2.76	0.55	1.97	5.51	0.36	0.28	2.76	F05/F07
1½	6.30	8.07	6.30	4.25	0.67	2.91	3.15	2.76	0.55	1.97	6.30	0.36	0.28	3.15	F05/F07
2	7.56	12.80	7.56	5.51	0.87	3.66	3.78	4.02	0.67	2.76	7.56	0.45	0.36	3.78	F07/F10
2½	11.57	15.75	11.57	5.67	0.98	4.66	5.78	-	0.87	4.00	11.57	0.67	0.45	5.79	F10
3	12.48	19.69	12.48	6.38	0.98	5.37	6.24	-	0.87	4.00	12.48	0.67	0.45	6.24	F10
4	14.53	25.59	14.53	7.17	0.98	6.16	7.27	-	0.87	4.00	14.53	0.67	0.45	7.27	F10