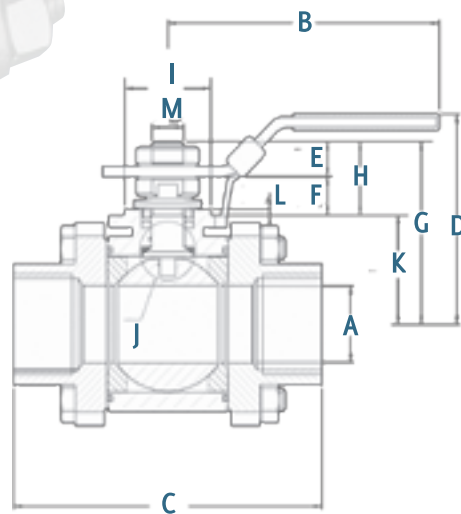
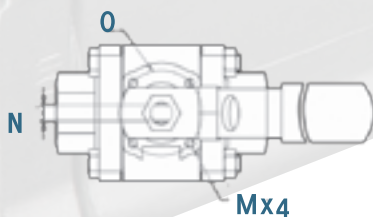


# 3-PC HIGH PRESSURE VALVE SERIES 83/309

## Features & Specifications

- » ASTM 316 grade stainless steel
- » Optimum sealing for high cycle applications with 3-piece chevron packing
- » Live loaded, blowout proof stem design
- » Full port, anti-static device
- » Suitable for automation
- » Standard locking handle
- » Fire-safe tested per API 607 4th edition available
- » ¼"–1" 2000 PSI
- » 1¼"–2" 1500 PSI

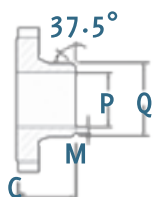


Pyramidal Stem & Anti-Static Device

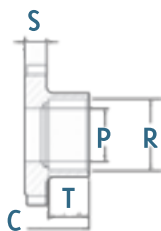


83-10 Threaded End

Thread std. in PT, NPT, PF, etc.



83-20 Socket Weld End



83-30 Butt Weld End  
Sch.40 available

Size	A	B	C	D	E	F	G	H	I	K	L	M	N	O	P	Q	R	S	T	V	ISO	Wt
¼	0.39	5.28	2.55	2.51	0.22	0.06	1.46	0.28	0.98	1.17	0.02	0.06	0.26	1.42	0.39	0.55	0.56	0.39	0.39	M5	F03	1.76
⅜	0.39	5.28	2.55	2.51	0.22	0.06	1.46	0.28	0.98	1.17	0.02	0.06	0.26	1.42	0.39	0.69	0.69	0.39	0.39	M5	F03	1.76
½	0.59	5.28	2.85	2.83	0.24	0.41	1.80	0.65	0.98	1.14	0.08	0.06	0.26	1.42	0.59	0.85	0.85	0.36	0.39	M5	F03	1.78
¾	0.79	5.28	3.36	3.01	0.30	0.43	2.02	0.72	0.98	1.30	0.08	0.06	0.26	1.42	0.79	1.08	1.07	0.45	0.51	M5	F03	2.79
1	0.98	6.69	4.15	3.27	0.40	0.59	2.41	0.99	1.18	1.42	0.08	0.06	0.31	1.65	0.98	1.34	1.34	0.45	0.51	M5	F04	4.27
1¼	1.26	6.69	4.37	3.46	0.32	0.63	2.53	0.95	1.18	1.57	0.08	0.06	0.31	1.65	1.26	1.68	1.69	0.48	0.51	M5	F04	5.83
1½	1.50	8.15	5.01	4.10	0.50	0.74	3.11	1.25	1.38	1.86	0.09	0.06	0.38	1.97	1.50	1.91	1.92	0.51	0.51	M6	F05	8.25
2	1.97	8.15	5.62	4.79	0.44	0.56	3.74	1.00	1.38	2.74	0.06	0.06	0.38	1.97	1.97	2.38	2.40	0.44	0.63	M6	F05	11.95