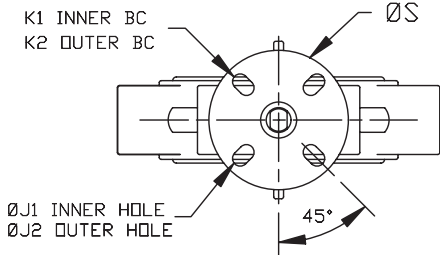
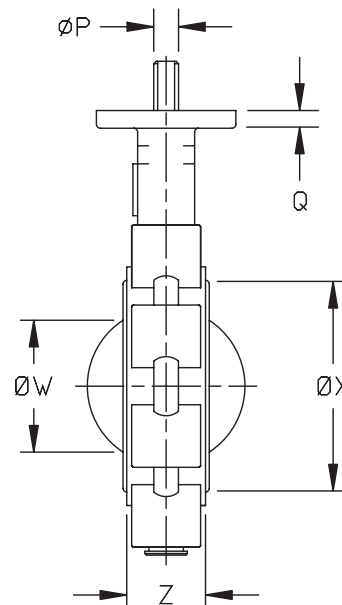
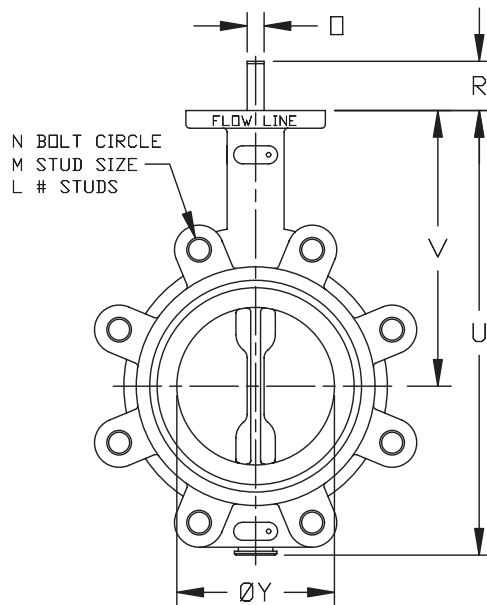


VALVE SIZE	Z	Y	X	W	V	U	S	R	Q	P	O	LUG DRILLING			TOP PLATE DRILLING				WGT. (LBS.)	
												N	M	L	K1	K2	#holes	J1		J2
2	1.66	2.01	3.00	1.24	5.62	8.44	4.00	1.00	.44	.625	.375	4.75	5/8-11	4	2.76	3.25	4	.39	.41	8
2½	1.76	2.47	3.50	1.82	6.12	9.19	4.00	1.00	.44	.625	.375	5.50	5/8-11	4	2.76	3.25	4	.39	.41	10
3	1.78	3.04	4.09	2.54	6.38	9.69	4.00	1.00	.44	.625	.375	6.00	5/8-11	4	2.76	3.25	4	.39	.41	11
4	2.05	4.00	5.31	3.54	7.12	11.00	4.00	1.00	.44	.625	.375	7.50	5/8-11	8	2.76	3.25	4	.39	.41	17
5	2.14	4.80	6.26	4.36	7.75	12.12	4.00	1.25	.44	.838	.500	8.50	3/4-10	8	2.76	3.25	4	.39	.41	23
6	2.19	6.07	7.42	5.72	8.25	13.25	4.00	1.25	.44	.838	.500	9.50	3/4-10	8	2.76	3.25	4	.39	.41	29
8	2.39	7.91	9.38	7.60	9.44	15.56	6.00	1.38	.56	.838	.500	11.75	3/4-10	8	4.02	5.00	4	.53	.53	44
10	2.58	9.80	11.51	9.51	11.28	18.69	6.00	1.38	.56	.963	.625	14.25	7/8-9	12	4.02	5.00	4	.53	.53	66
12	3.03	11.81	13.55	11.48	12.19	21.69	6.00	1.38	.56	1.338	.750	17.00	7/8-9	12	4.02	5.00	4	.53	.53	99



NOTE: W IS DISC CHORDAL DIMENSION AT VALVE FACE
 ALL DIMENSIONS ARE INCHES

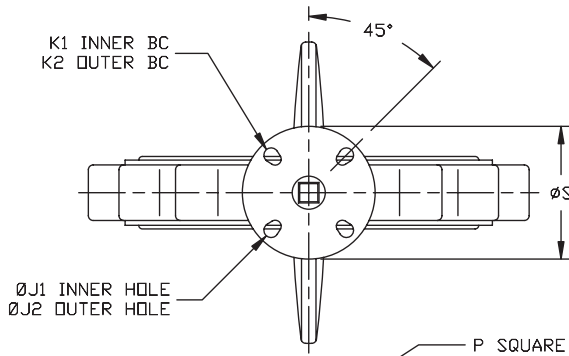
4	STEM		
3	DISC		
2	SEAT		
1	BODY		
ITEM	DESCRIPTION	MATERIAL	REMARKS



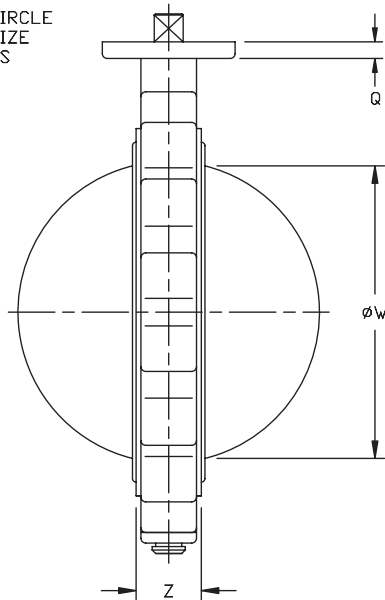
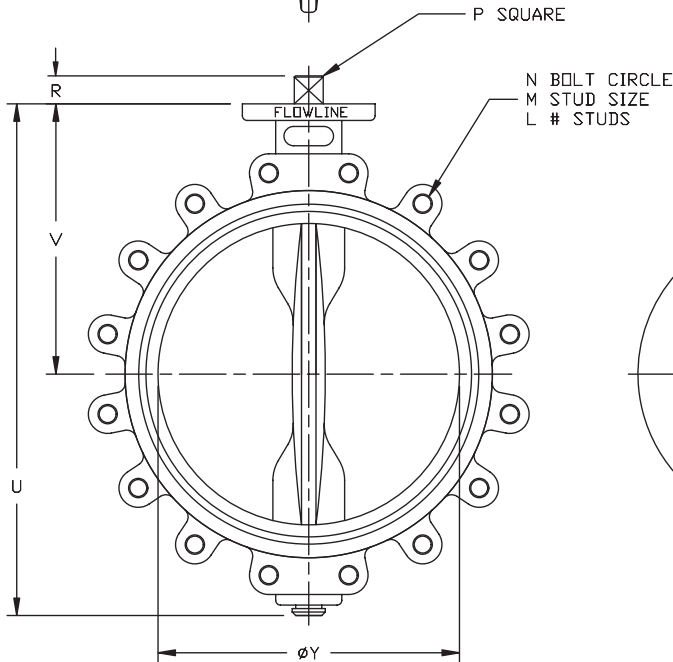
VALVE SIZE	FLANGE DRILLING	DIMENSIONAL DATA SHEET		PART NO.	
		BUTTERFLY VALVE SERIES 73 SIZES 2" - 12"		DRAWING NO.	REV
				73-001	A
				DATE	
				10/03	
CUSTOMER/PROJECT					
INQ./PO NO.					
ORDER NO.					
CERTIFIED BY	DATE				

VALVE SIZE	Z	Y	W	V	U	S	R	Q	P	LUG DRILLING			TOP PLATE DRILLING				WGT. (LBS.)	
										N	M	L	K1	K2	#holes	J1		J2
14	2.91	13.06	12.80	13.04	23.18	6.87	1.45	.86	1.06	18.75	1-8 UNC	12	4.92	5.51	4	.625	.75	140
16	3.37	15.26	14.96	14.01	26.52	6.87	1.45	.86	1.06	21.25	1-8 UNC	16	4.92	5.51	4	.625	.75	210
18	4.12	17.26	16.85	15.03	28.18	6.87	1.45	.98	1.06	22.75	18-7 UNC	16	4.92	5.51	4	.625	.75	240
20	5.13	19.28	18.66	16.06	30.25	6.87	1.92	.98	1.41	25.00	18-7 UNC	20	5.51	6.88	4	.75	.75	340
24	5.96	23.24	22.55	19.12	35.87	6.87	1.92	.98	1.41	29.50	1¼-7 UNC	20	---	6.88	4	---	.75	500

NOTE: W IS DISC CHORDAL DIMENSION AT VALVE FACE
 ALL DIMENSIONS ARE INCHES



4	STEM		
3	DISC		
2	SEAT		
1	BODY		
ITEM	DESCRIPTION	MATERIAL	REMARKS



VALVE SIZE	FLANGE DRILLING	DIMENSIONAL DATA SHEET		PART NO.	
		BUTTERFLY VALVE SERIES 73 SIZES 14" - 24"		DRAWING NO.	REV
				73-002	A
				DATE	
				10/03	
CUSTOMER/PROJECT					
INQ./PO NO.					
ORDER NO.					
CERTIFIED BY	DATE				