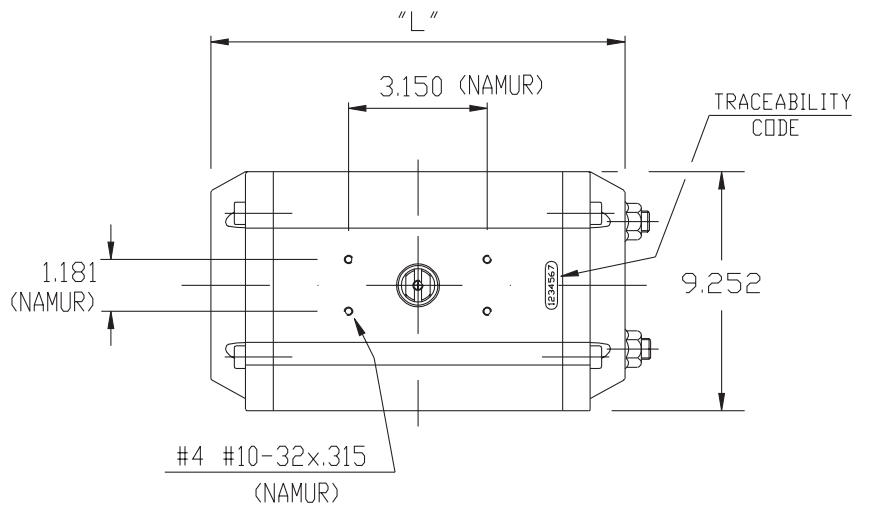
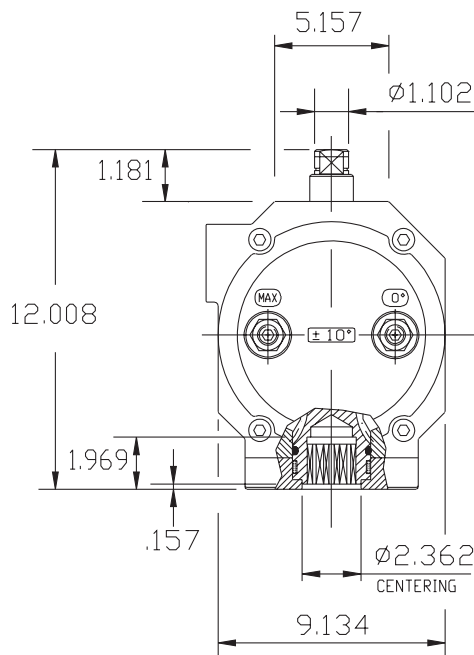


**FOR MOUNTING SEE
TABLE "BOTTOM
MOUNTING PLATE
DIMENSIONS"**



	90°	120°	135°	150°	180°
"L"	19.764	22.717	24.213	25.709	28.661

WEIGHT

STROKE	DOUBLE ACTING					SPRING RETURN 7+5 SPRING
	90°	120°	135°	150°	180°	90°
LB.	94.36	106.64	112.77	118.92	131.18	115.52

AIR CONSUMPTION (FULL CYCLE)

STROKE	DOUBLE ACTING					SPRING RETURN 7+5 SPRING
	90°	120°	135°	150°	180°	90°
CU.-IN.	1037.5	1275.0	1393.7	1512.5	1743.8	443.8