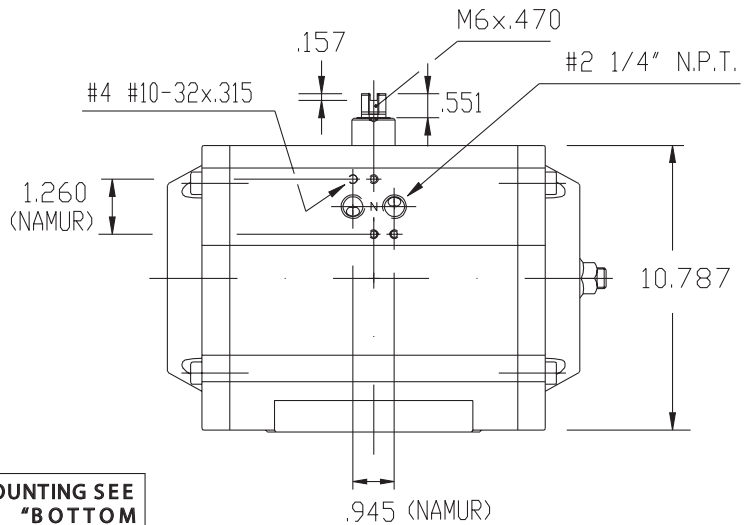
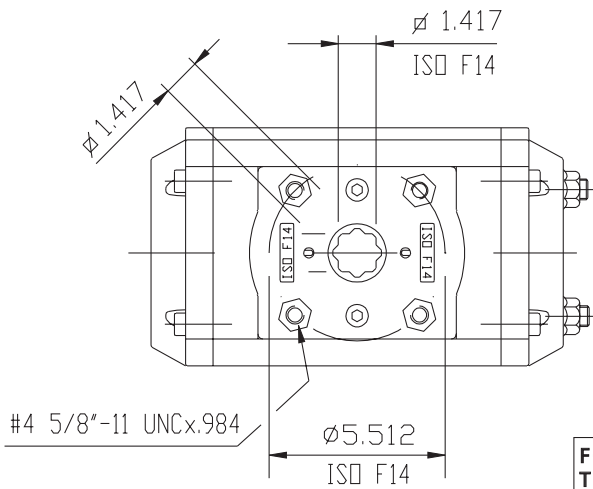


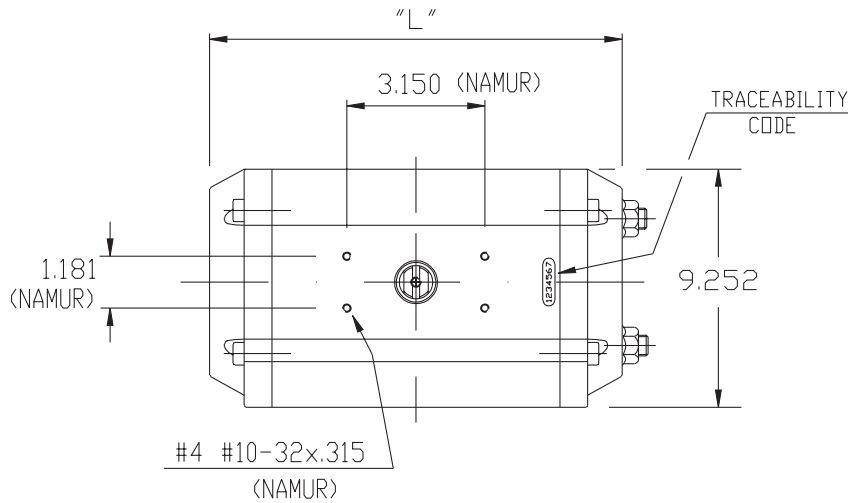
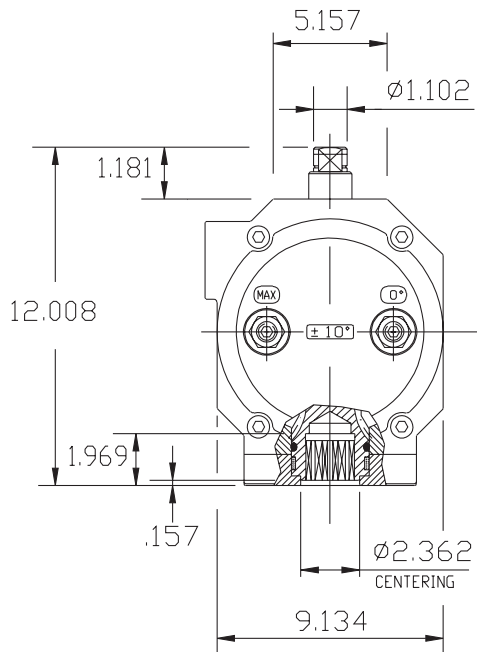
UT-61
TECHNICAL DATA



DIMENSIONS TO
ISO 5211 - DIN 3337
AND NAMUR VDI/DE 3845
DIMENSIONS IN INCHES



FOR MOUNTING SEE
TABLE "BOTTOM
MOUNTING PLATE
DIMENSIONS"



	90°	120°	135°	150°	180°
"L"	17.480	19.882	21.142	22.480	24.291

WEIGHT

STROKE	DOUBLE ACTING					SPRING RETURN 7+5 SPRING
	90°	120°	135°	150°	180°	90°
LB.	80.03	89.73	94.58	99.43	108.91	101.19

AIR CONSUMPTION (FULL CYCLE)

STROKE	DOUBLE ACTING					SPRING RETURN 7+5 SPRING
	90°	120°	135°	150°	180°	90°
CU.-IN.	881.3	1056.3	1143.8	1231.3	1406.3	343.8