

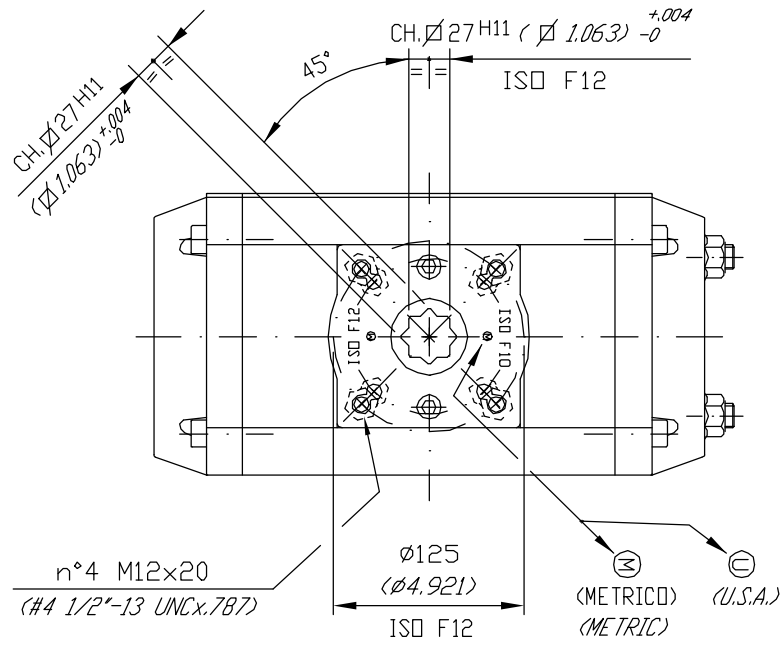
**UT-50**  
DATI TECNICI



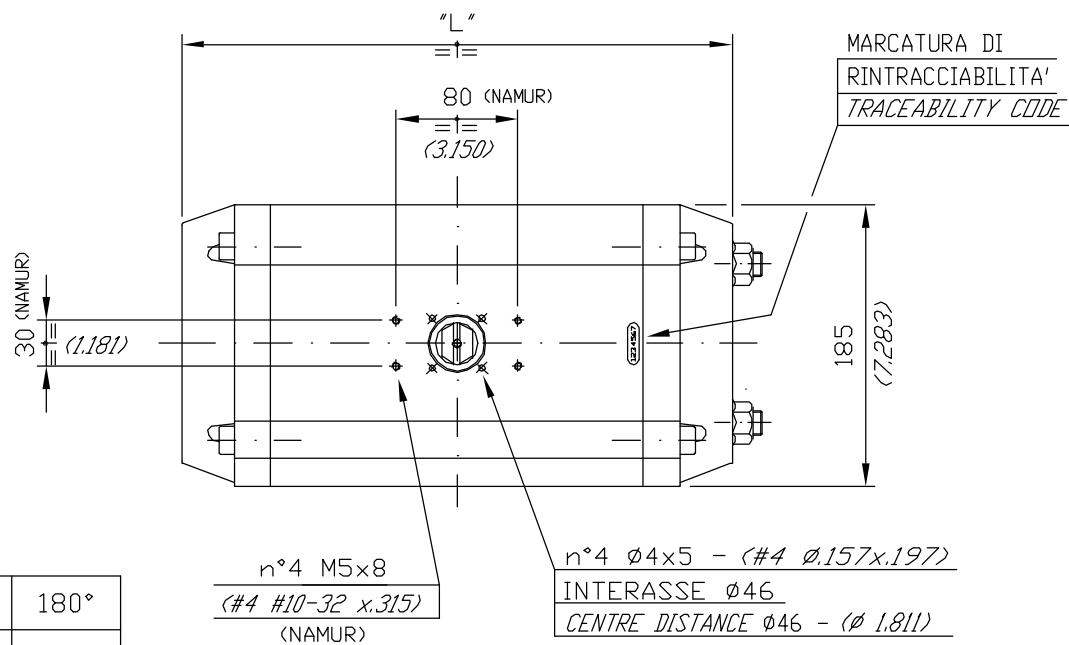
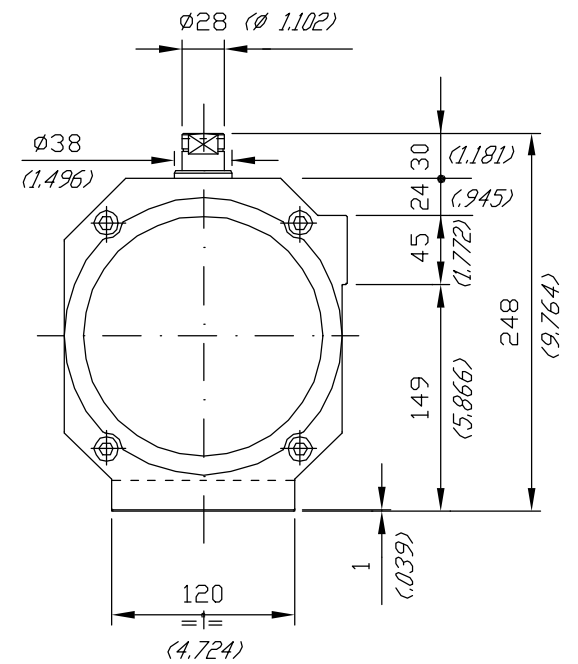
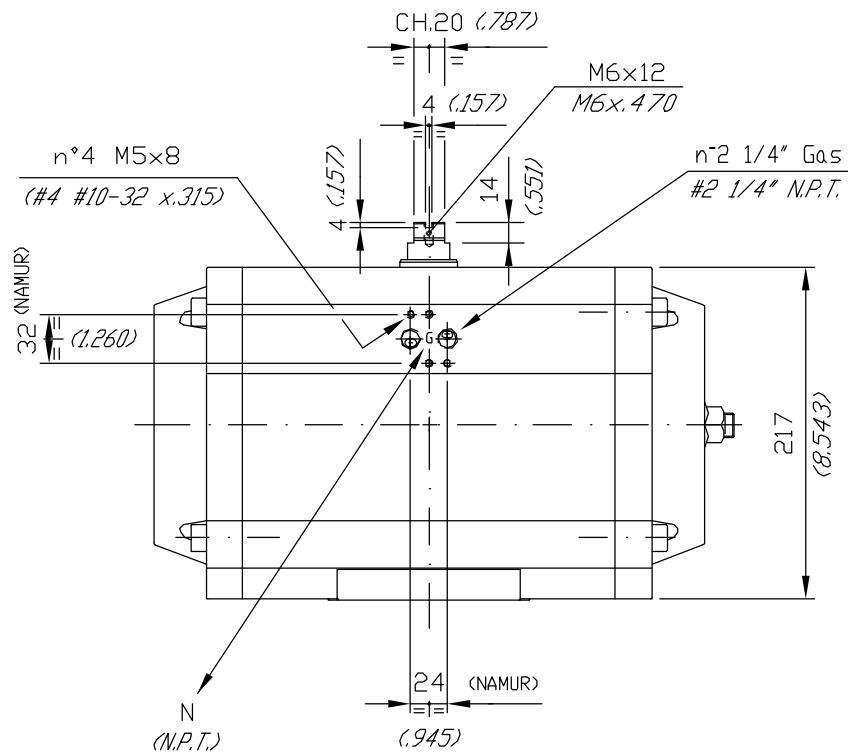
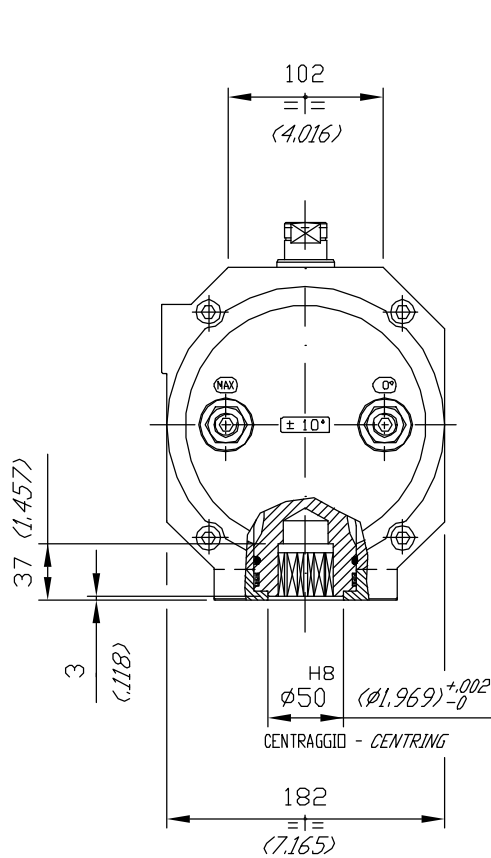
**UT-51**  
TECHNICAL DATA

CORRISPONDENTE ALLE NORME  
ISO 5211 - DIN 3337  
E NAMUR VDI / VDE 3845

DIMENSIONS TO  
ISO 5211 - DIN 3337  
AND NAMUR VDI / VDE 3845



**Max-Air**  
Technology



	90°	120°	135°	150°	180°
"L"	361 (14.213)	401 (15.787)	430 (16.929)	459 (18.071)	499 (19.646)

DIMENSIONI IN mm.  
DIMENSIONS IN mm. (INCHES)

