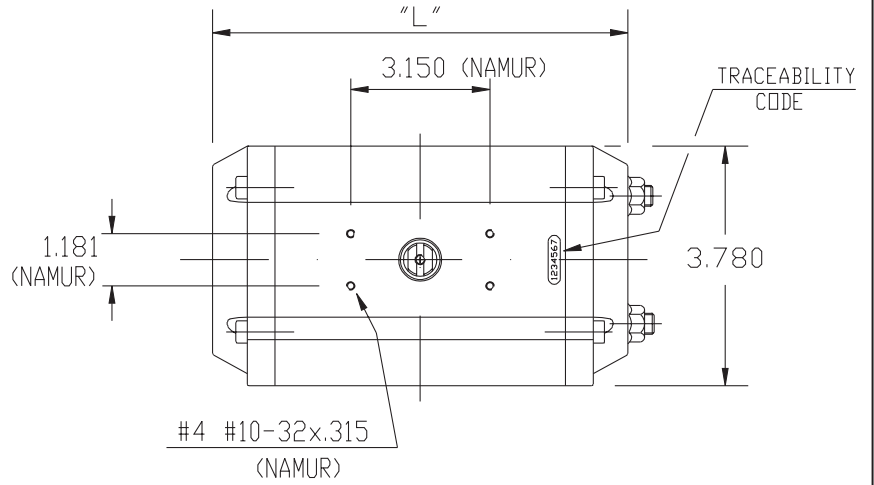
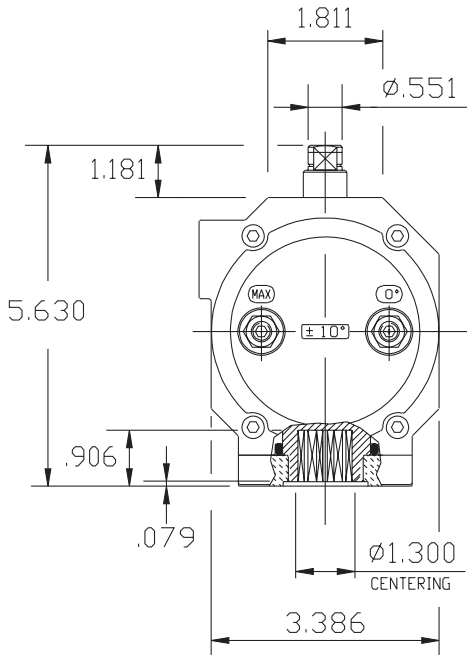


FOR MOUNTING SEE
TABLE "BOTTOM
MOUNTING PLATE
DIMENSIONS"



	90°	120°	135°	150°	180°
"L"	6.969	8.189	8.465	9.055	9.921

WEIGHT

STROKE	DOUBLE ACTING					SPRING RETURN 7+5 SPRING
	90°	120°	135°	150°	180°	90°
LB.	6.33	7.43	7.60	8.05	8.82	7.16

AIR CONSUMPTION (FULL CYCLE)

STROKE	DOUBLE ACTING					SPRING RETURN 7+5 SPRING
	90°	120°	135°	150°	180°	90°
CU.-IN.	44.4	56.9	59.4	64.4	73.7	18.1