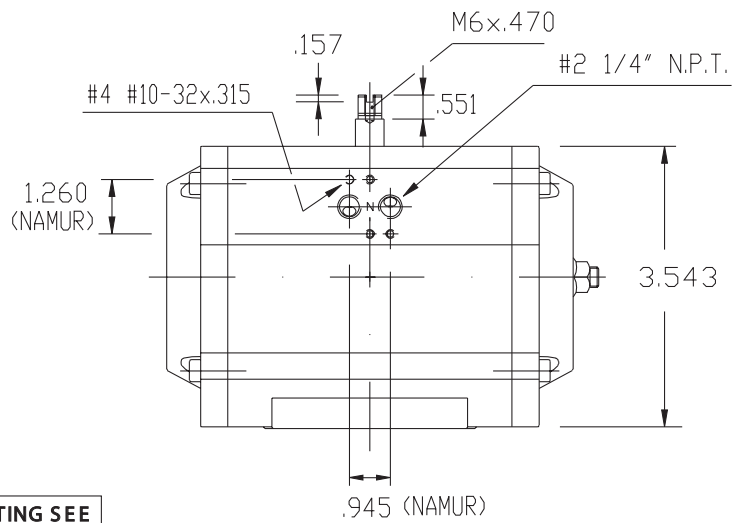
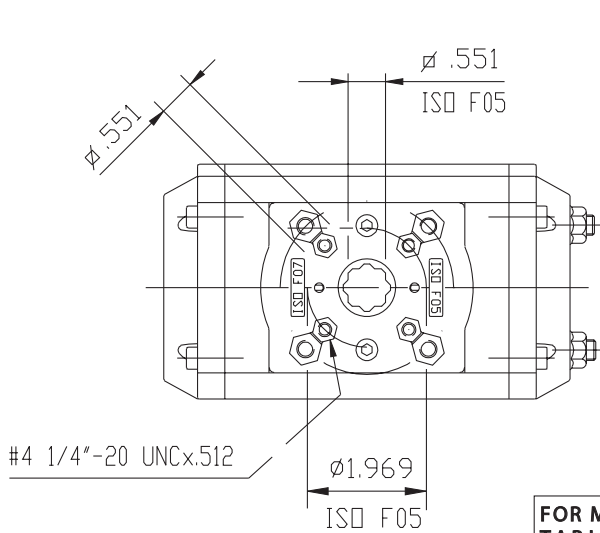


**UT-16**  
TECHNICAL DATA

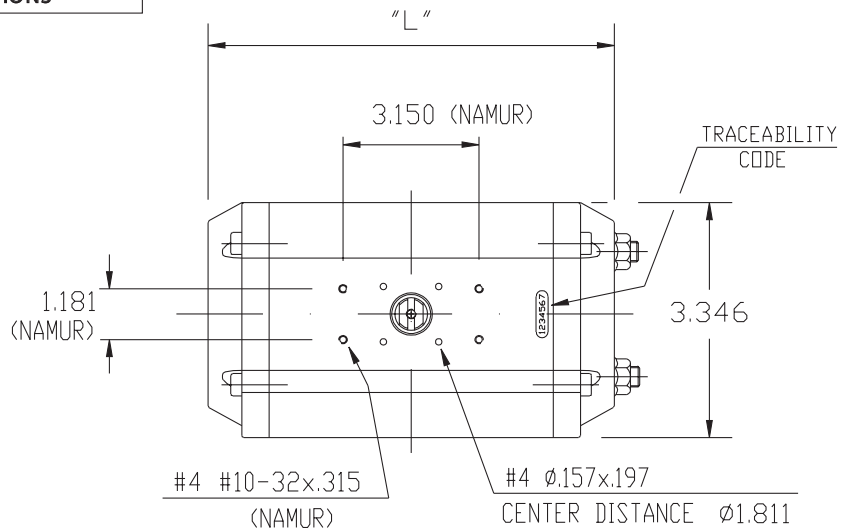
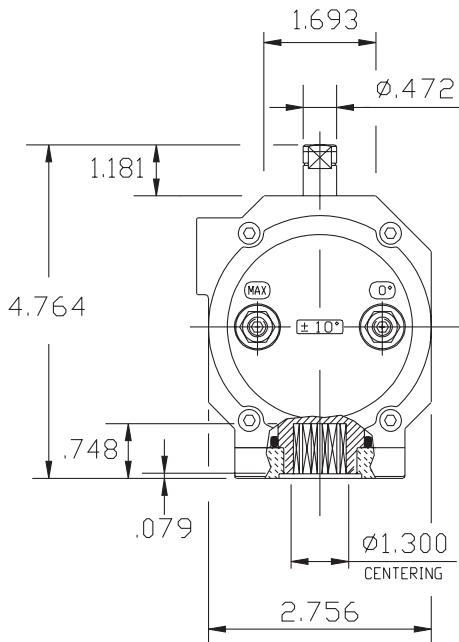


DIMENSIONS TO  
ISO 5211 - DIN 3337  
AND NAMUR VDI/DE 3845

DIMENSIONS IN INCHES



FOR MOUNTING SEE  
TABLE "BOTTOM  
MOUNTING PLATE  
DIMENSIONS"



|     |       |       |       |       |       |
|-----|-------|-------|-------|-------|-------|
|     | 90°   | 120°  | 135°  | 150°  | 180°  |
| "L" | 6.496 | 7.638 | 7.953 | 8.425 | 9.213 |

**WEIGHT**

| STROKE | DOUBLE ACTING |      |      |      |      | SPRING RETURN<br>7+5 SPRING |
|--------|---------------|------|------|------|------|-----------------------------|
|        | 90°           | 120° | 135° | 150° | 180° | 90°                         |
| LB.    | 4.03          | 4.87 | 5.00 | 5.29 | 5.95 | 4.45                        |

**AIR CONSUMPTION (FULL CYCLE)**

| STROKE  | DOUBLE ACTING |      |      |      |      | SPRING RETURN<br>7+5 SPRING |
|---------|---------------|------|------|------|------|-----------------------------|
|         | 90°           | 120° | 135° | 150° | 180° | 90°                         |
| CU.-IN. | 25.6          | 32.4 | 34.4 | 37.5 | 42.5 | 11.2                        |