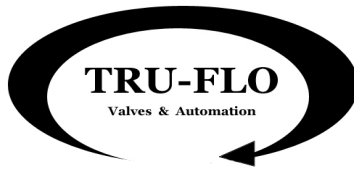
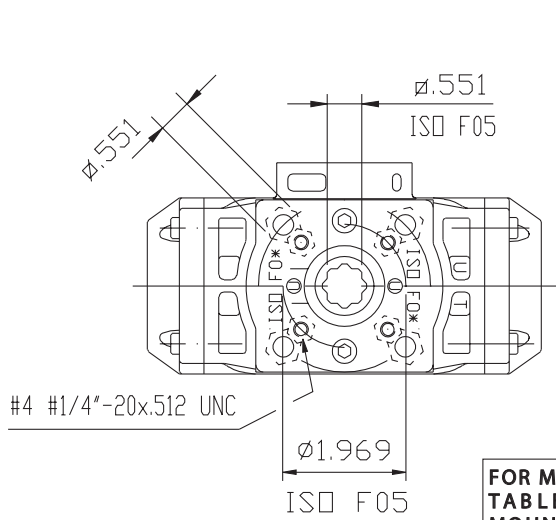


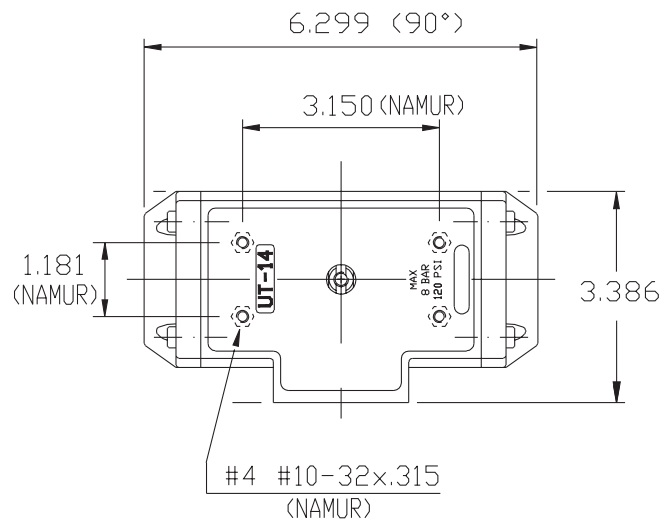
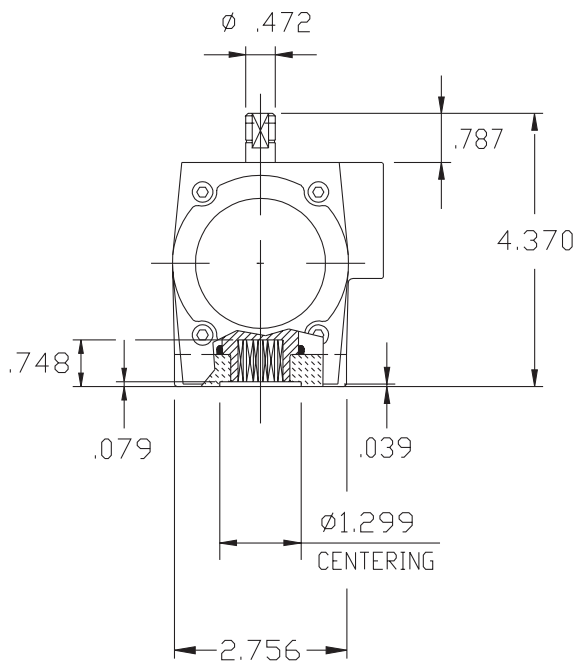
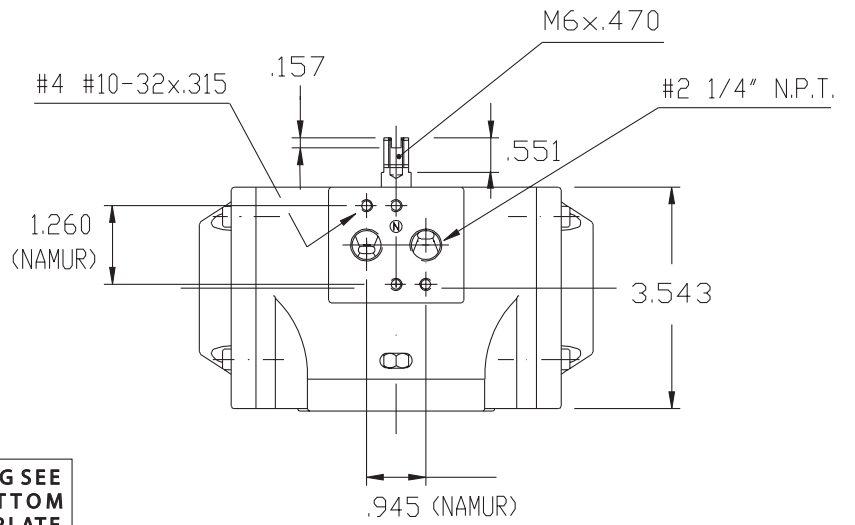
UT-14
TECHNICAL DATA



DIMENSIONS TO
ISO 5211 - DIN 3337
AND NAMUR VDI/DE 3845
DIMENSIONS IN INCHES



FOR MOUNTING SEE
TABLE "BOTTOM
MOUNTING PLATE
DIMENSIONS"



STANDARD TEMPERATURE $-4^\circ\text{F} + 194^\circ\text{F}$

WEIGHT IN L.B.		AIR CONSUMPTION IN CU. IN.	
D.A.	S.R.	D.A.	S.R.
2.624	3.064 (6+6)	22.0	10.8 (6+6)