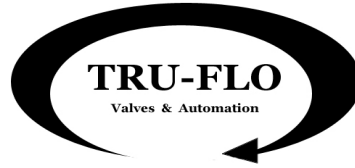
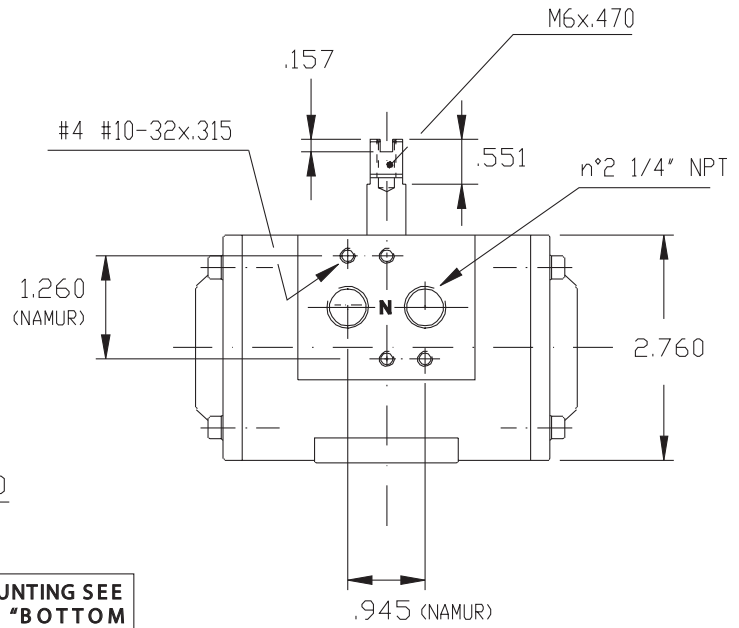
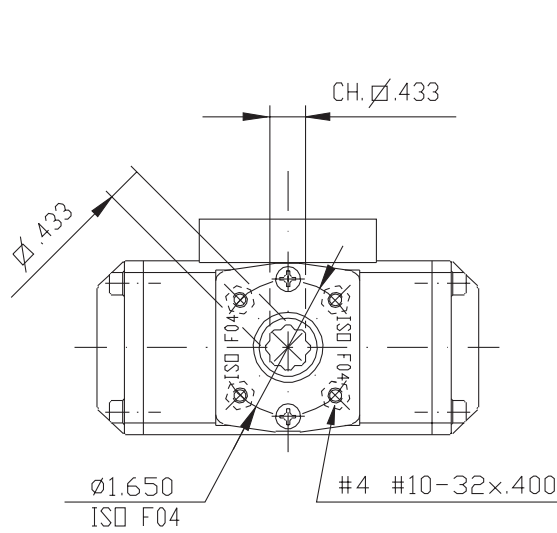


UT-12
TECHNICAL DATA

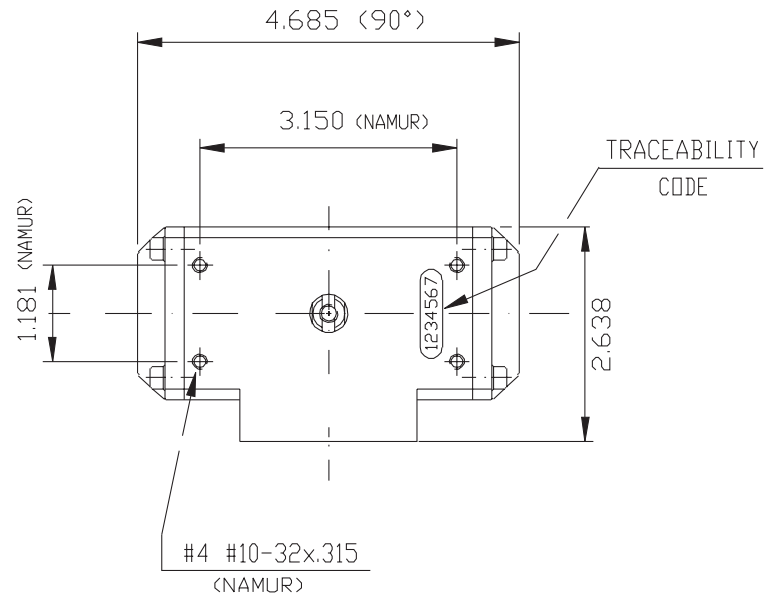
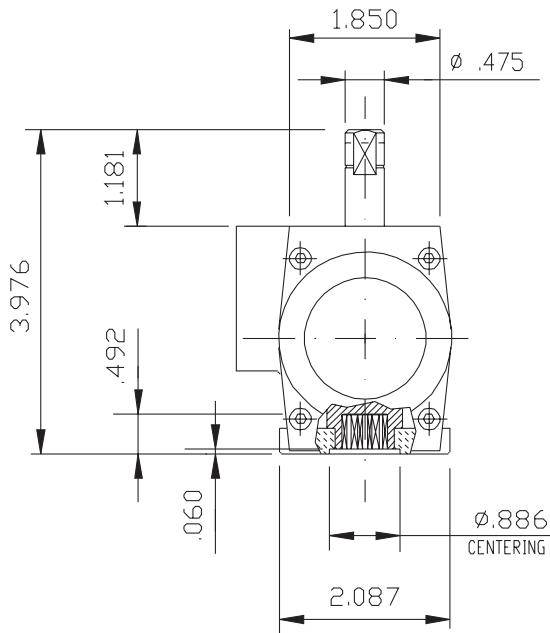


DIMENSIONS TO
ISO 5211 - DIN 3337
AND NAMUR VDI/DE 3845

DIMENSIONS IN INCHES



FOR MOUNTING SEE
TABLE "BOTTOM
MOUNTING PLATE
DIMENSIONS"



WEIGHT IN L.B.		AIR CONSUMPTION IN CU. IN.	
D.A.	S.R.	D.A.	S.R.
1.87	2.06 (3+3)	13.5	8.0 (3+3)