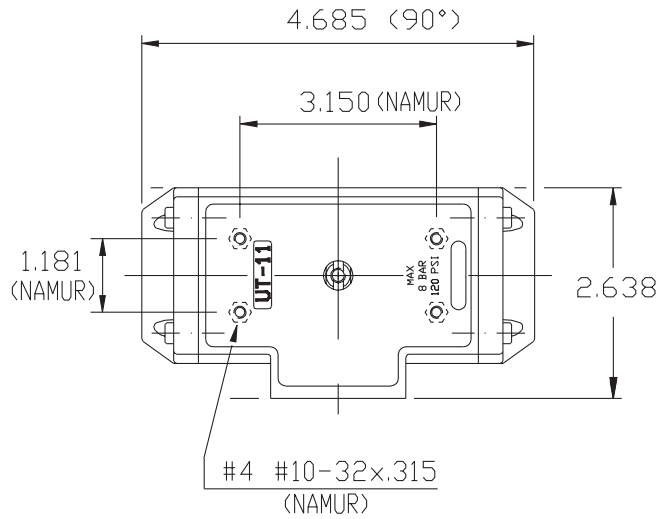
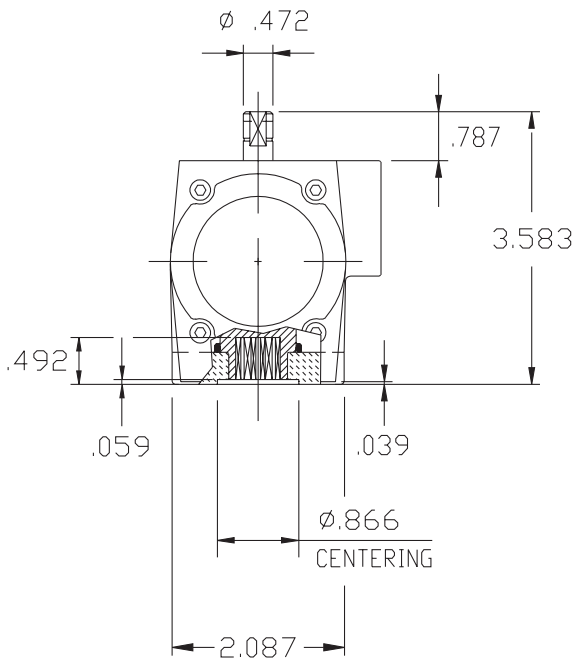
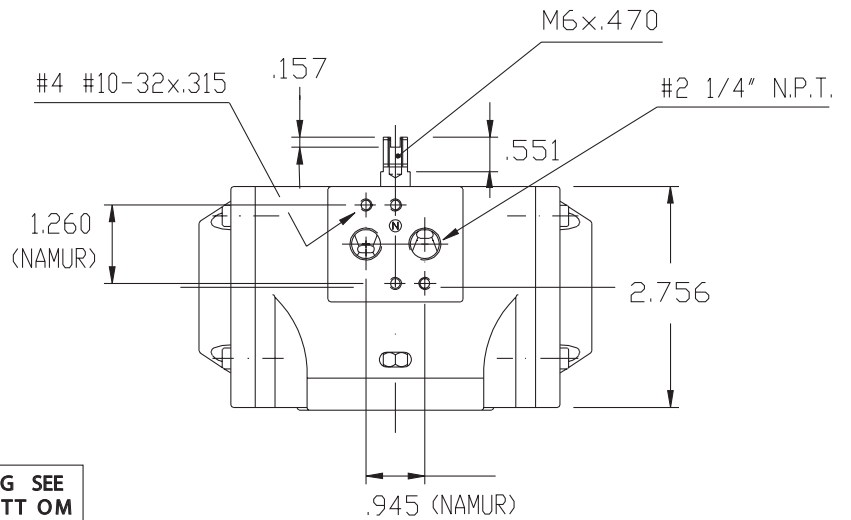


FOR MOUNTING SEE
TABLE "BOTTOM
MOUNTING PLATE
DIMENSIONS"



STANDARD TEMPERATURE -4°F + 194°F

WEIGHT IN L.B.		AIR CONSUMPTION IN CU. IN.	
D.A.	S.R.	D.A.	S.R.
1.257	1.444 (3+3)	13.5	8.0 (3+3)