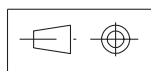
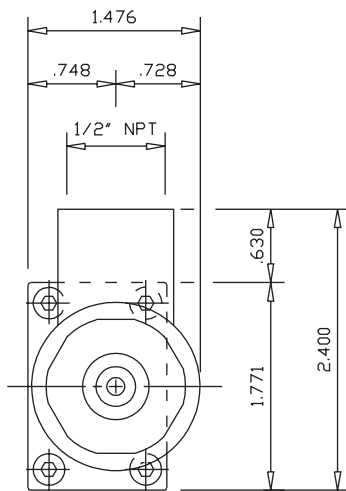
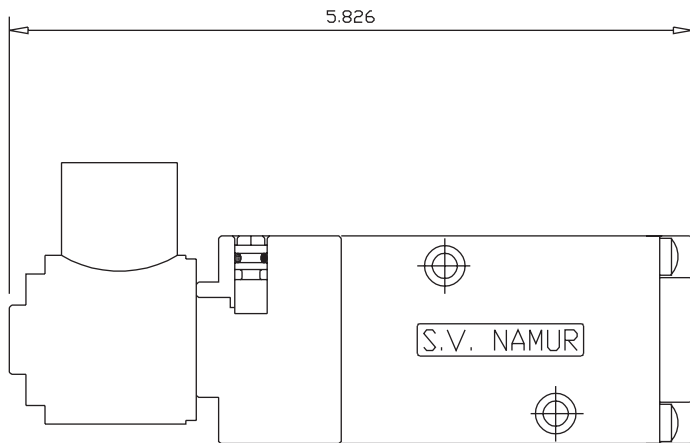


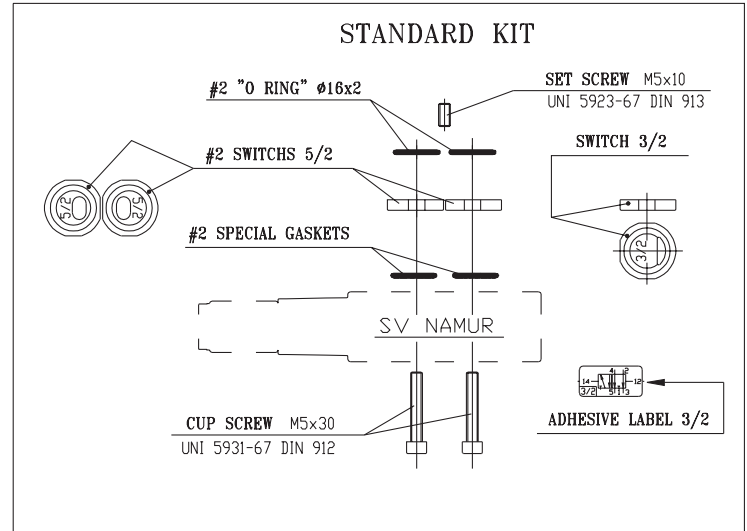


127 Village Lane  
 Easley, SC 29642  
 Ph: (864) 605-0150  
 Fax: (864) 605-0830  
 www.tru-flo.com

## "NAMUR" SOLENOID VALVE SV-91 NEMA 7 3/2 & 5/2



DIMENSIONS IN INCHES



### Technical Data

Standard Voltages = 24/110/220VAC 50/60 Hz  
 Standard Voltages = 12/24VDC  
 Power Input = 50/60 Hz inrush 7.5VA rated 5VA  
 Power Input = DC 3W  
 Voltage Tolerance = +/- 10%  
 Coil Insulation = NEMA 7  
 Duty Cycle = 100%  
 Protection Class = NEMA 7  
 Air Supply Connection 1/4" NPT  
 Operating Pressure = min. 30 PSI - max. 145 PSI  
 DIN Connector = 1/2" NPT  
 Flow Factor = Cv 0.5  
 Max Operating Frequency = 600/1'  
 Room Temperature Limit = -4°F + 158°F  
 Weight = 1.20 Lb