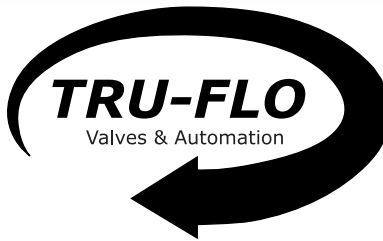
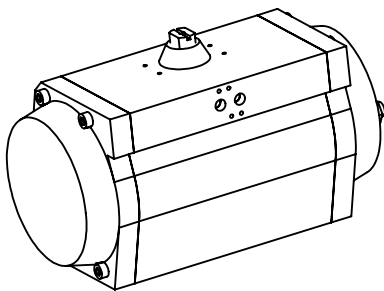
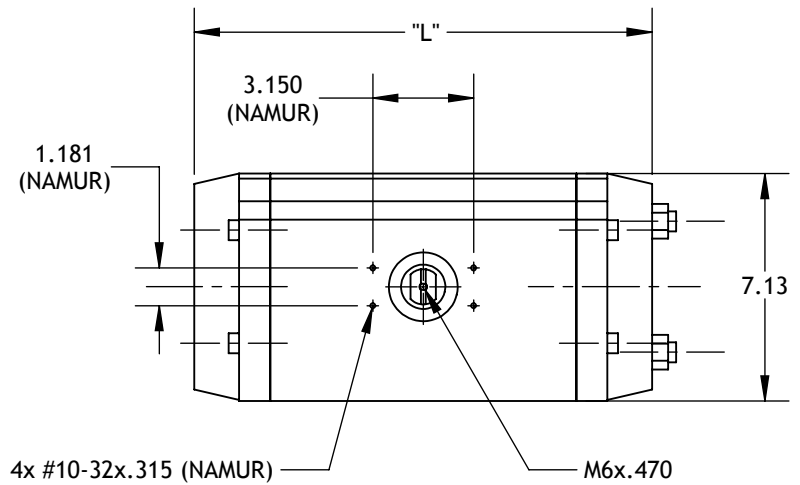
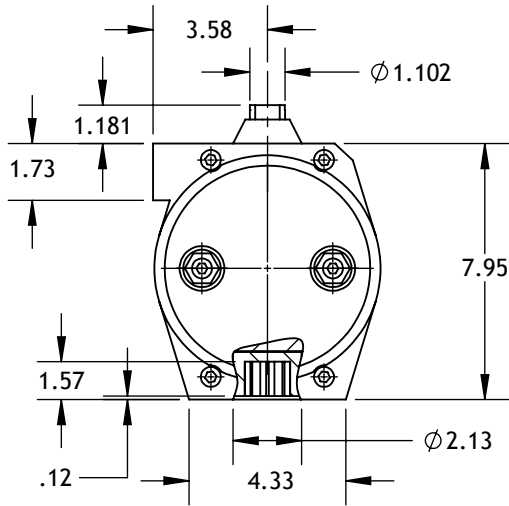
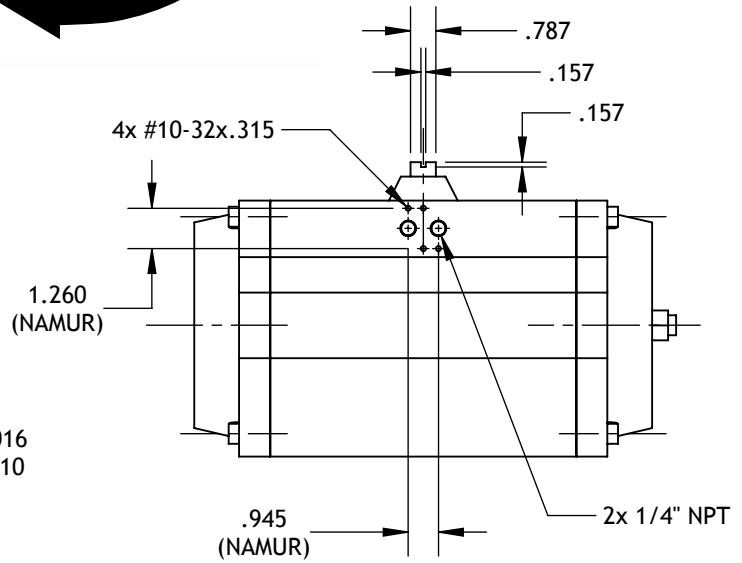
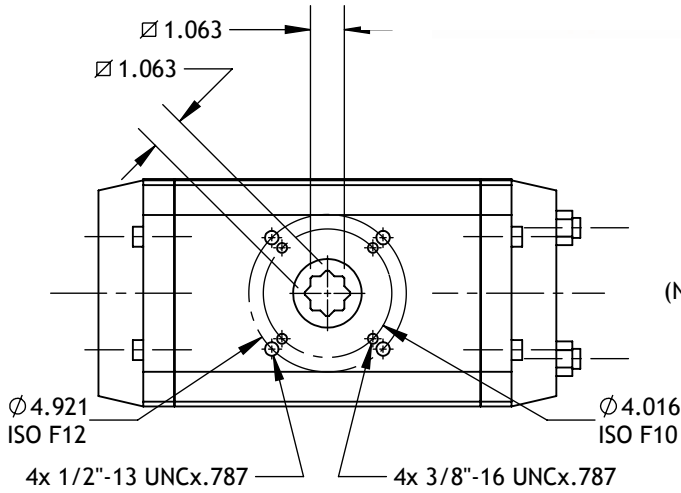


MT-51
TECHNICAL DATA



DIMENSIONS TO
ISO 5211 - DIN 3337
AND NAMUR VDI/VDE 3845

DIMENSIONS IN INCHES



	90°	120°	135°	150°	180°
"L"	14.213	15.787	16.929	18.071	19.646

WEIGHT

STROKE	DOUBLE ACTING					SPRING RETURN 7+5 SPRING
	90°	120°	135°	150°	180°	90°
LB.	35.3	CALL	CALL	CALL	CALL	42.0

AIR CONSUMPTION (FULL CYCLE)

STROKE	DOUBLE ACTING					SPRING RETURN 7+5 SPRING
	90°	120°	135°	150°	180°	90°
CU-IN.	425.0	512.5	550.0	593.8	656.3	181.3

