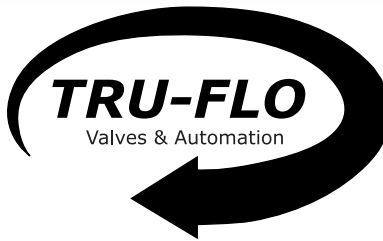
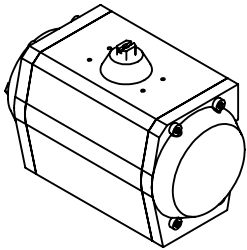
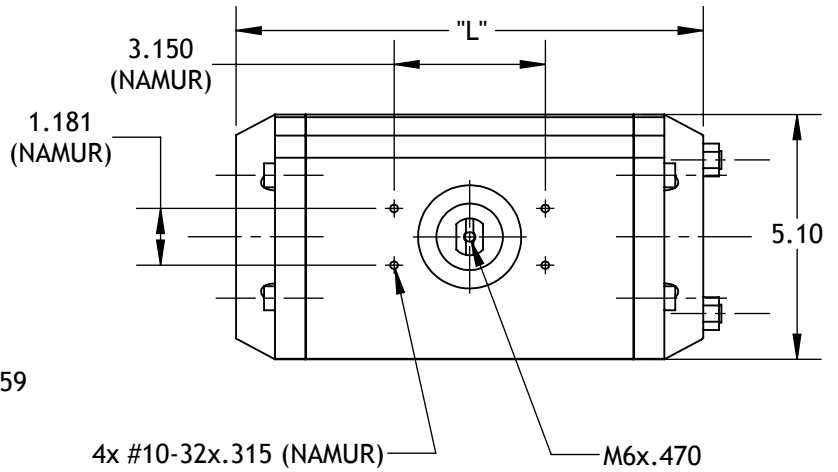
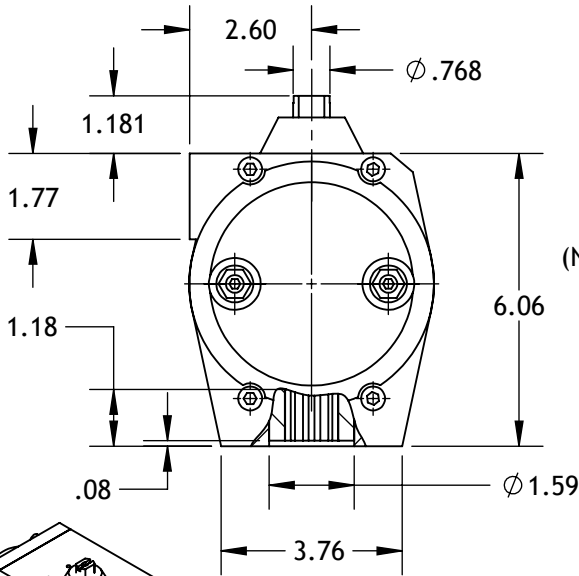
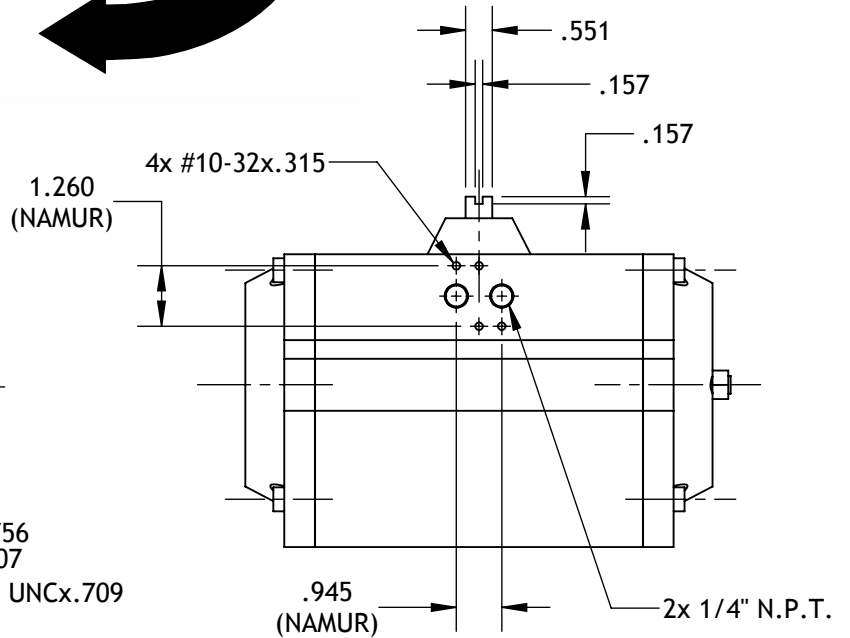
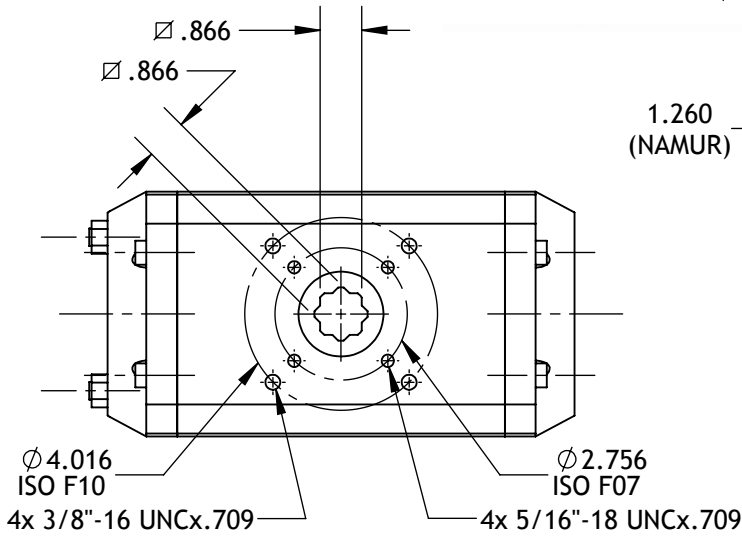


**MT-36**  
TECHNICAL DATA



DIMENSIONS TO  
ISO 5211 - DIN 3337  
AND NAMUR VDI/VDE 3845

DIMENSIONS IN INCHES



	90°	120°	135°	150°	180°
"L"	9.685	10.866	11.693	12.520	13.661

**WEIGHT**

STROKE	DOUBLE ACTING					SPRING RETURN 7+5 SPRING
	90°	120°	135°	150°	180°	90°
LB.	14.6	CALL	CALL	CALL	CALL	17.8

**AIR CONSUMPTION (FULL CYCLE)**

STROKE	DOUBLE ACTING					SPRING RETURN 7+5 SPRING
	90°	120°	135°	150°	180°	90°
CU-IN.	153.1	181.2	196.9	212.5	237.5	75.0

