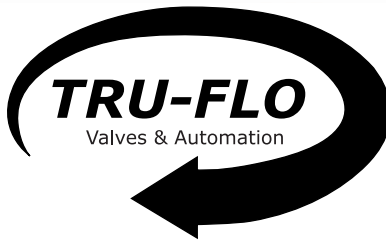
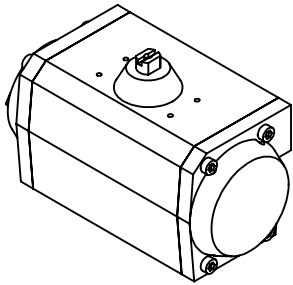
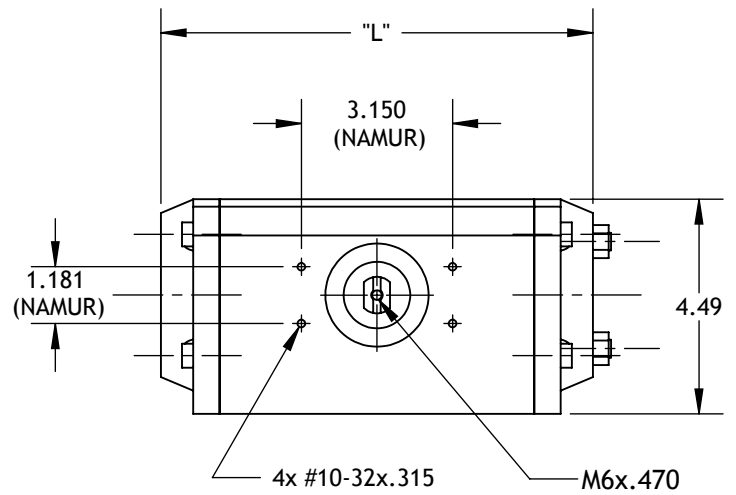
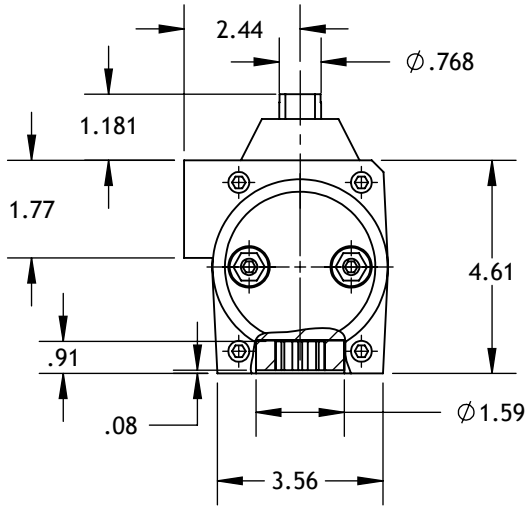
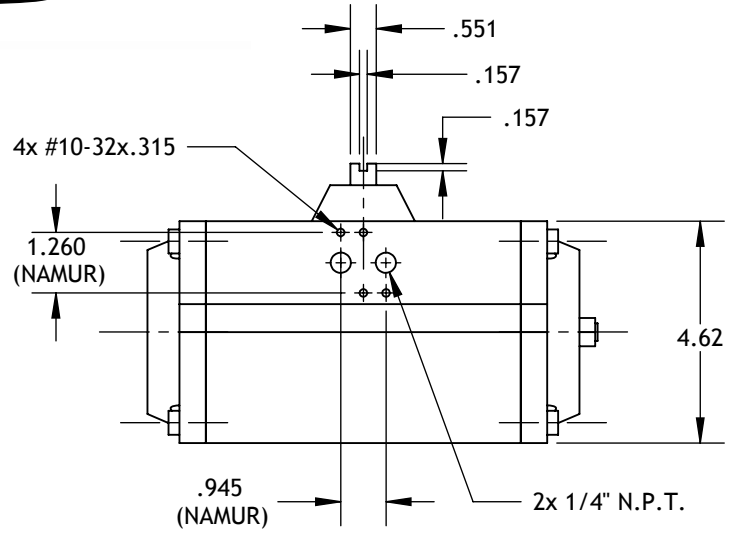
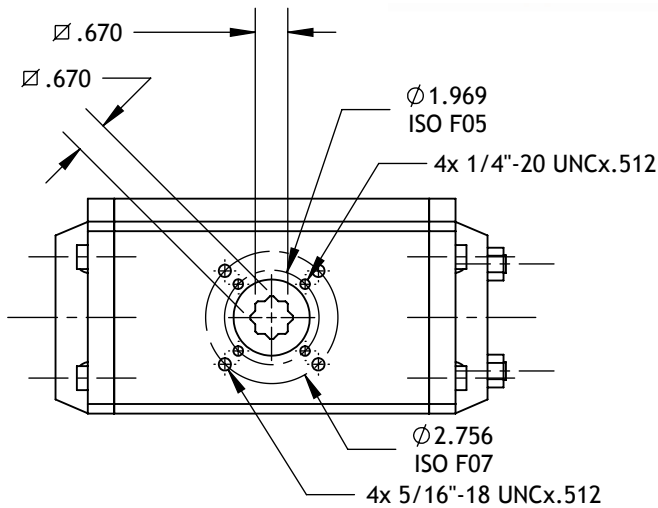


**MT-31**  
TECHNICAL DATA



DIMENSIONS TO  
ISO 5211 - DIN 3337  
AND NAMUR VDI/VDE 3845

DIMENSIONS IN INCHES



**WEIGHT**

STROKE	DOUBLE ACTING					SPRING RETURN 7+5 SPRING
	90°	120°	135°	150°	180°	90°
LB.	9.13	CALL	CALL	CALL	CALL	10.74

	90°	120°	135°	150°	180°
"L"	9.055	10.709	11.024	11.850	13.031

**AIR CONSUMPTION (FULL CYCLE)**

STROKE	DOUBLE ACTING					SPRING RETURN 7+5 SPRING
	90°	120°	135°	150°	180°	90°
CU-IN.	88.9	115.6	118.8	129.4	150.0	40.6

