

DM20 [SERIES SPRING RETURN CARTRIDGES]

The SOLDO DM20 series is a spring return lever for manually operated valves. The spring returns valves to their fail-safe position when the lever is released

[DAMPENED LEVER SPEED]

The SOLDO DM20 features a unique dampened spring that reduces lever return speed and the potentially dangerous snap action, minimizing risk to the operator.

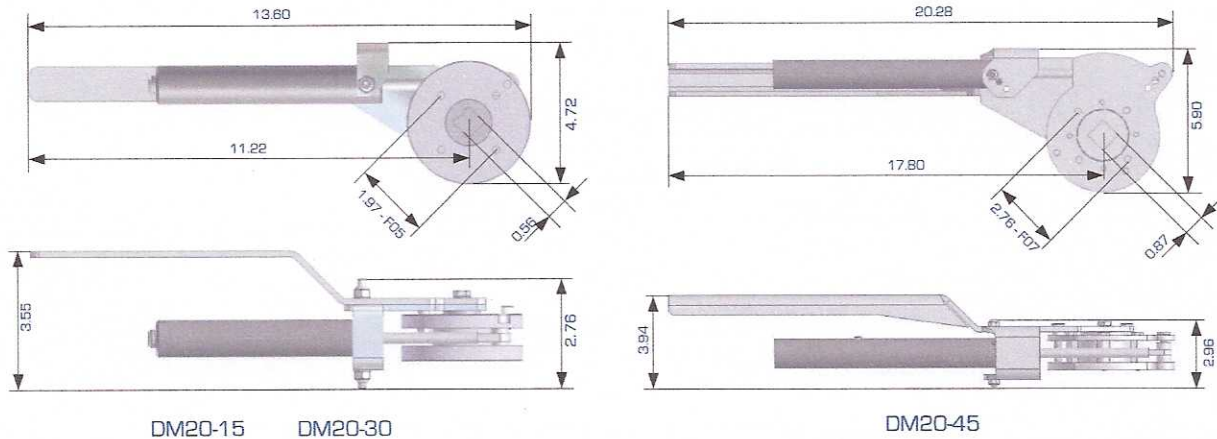
[ENVIRONMENT]

The SOLDO DM20 series is constructed with corrosion resistant materials for applications in harsh environments.

[STANDARDIZED MOUNTING]

The DM20 mounting pattern conforms to the international dimensional standard ISO 5211 maximizing interchangeability and reduced hardware requirements

[DIMENSION inch]



[MATERIALS]

- Body : anodized aluminium
- Lever : stainless steel
- Screws and nuts : stainless steel
- Shaft : nickel plated carbon steel



[ORDERING GUIDE]

