

INDUSTRIAL BALL VALVE

HIGH PRESSURE DOUBLE UNION SERIES

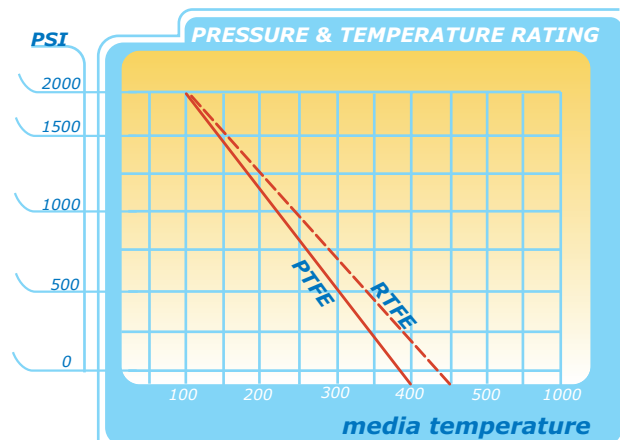
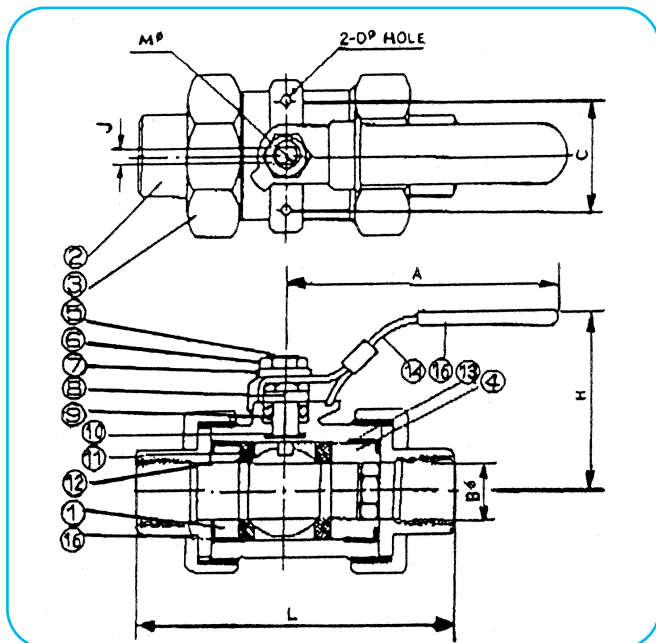


FEATURES / SPECIFICATIONS:

- Investment Cast 316 stainless steel construction
- 3-pc lug style body design facilitates inspection and easy inline repair
- Full port flow with self contained center section
- Blow out proof, bottom entry stem design
- Mounting Pad
- Suitable for water borne paint applications
- Working pressure to 2000 psi W.O.G.
- Sizes 1/4" - 2" in NPT & Socket Weld Ends

MM	Inch	A	B	C	D	H	L	J	M
8	1/4"	100	9	28.6	M4	53	90	5	8
10	3/8"	100	12.5	28.6	M4	53	90	5	8
15	1/2"	120	15.8	36	M5	59	100	6	9.5
20	3/4"	120	20	36	M5	62	104	6	9.5
25	1"	145	25.4	42	M5	73	122	8	12.7
32	1-1/4"	145	31.8	42	M5	78	128	8	12.7
40	1-1/2"	175	38.1	50	M6	90	142	10	15.9
50	2"	175	50.8	50	M6	98	165	10	15.9

Item	Part Name	Material
1	body	CF8M/316 ASTM A351
2	Union End	CF8M/316 ASTM A351
3	Union Nut	CF8M/316 ASTM A351
4	Threaded Spacer	CF8M/316 ASTM A351
5	Stem	316 SST
6	Handle Nut	304 SST
7	Washer	304 SST
8	Follower	304 SST
9	Stem Packing	Reinforced PTFE
10	Thrust Washer	Reinforced PTFE
11	Ball Seat	Reinforced PTFE
12	Solid Ball	CF8M/316 ASTM A351
13	Spacer Seal	Reinforced PTFE
14	Handle	304 SST
15	Cover	Plastic
16	End Seal	Reinforced PTFE



HSBV-501