

INDUSTRIAL BALL VALVES

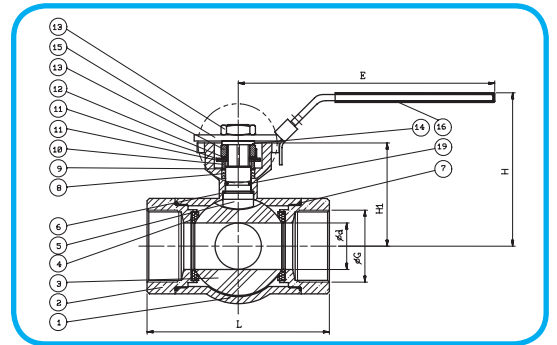
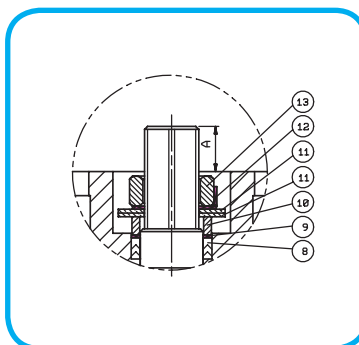
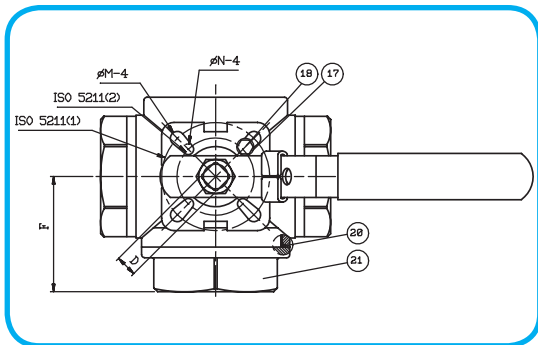
3-WAY MULTI-PORT SERIES



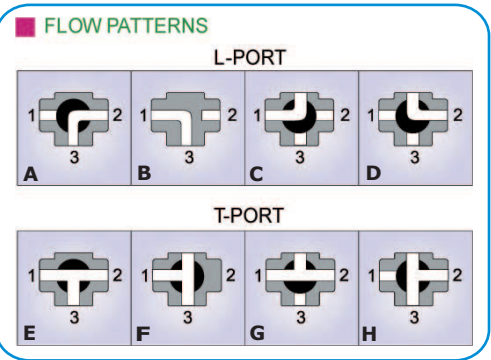
SERIES 38

FEATURES / SPECIFICATIONS:

- ASTM 316 Stainless construction
- Blowout proof stem design
- Standard (reduced) port design
- Available in "L" port or "T" port to fit your specific needs - please specify
- Locking handle is standard
- Suitable for automation - ISO 5211 mtg. pad
- 1000 WOG/NPT ends
- Multi-Port design-positive sealing at all ports
- Reduces quantity of valves needed in pipeline
- Size: 1/4"-2"



Size	d	L	H	D	F	A	N	M	E	H _i	ISO5211
1/4"	11	75.7	66.9	9	38.3	82	6	6	132	36.8	F04/F03
3/8"	11	75.7	66.9	9	38.3	82	6	6	132	36.8	F04/F03
1/2"	12.5	75.7	66.9	9	38.3	82	6	6	132	36.8	F04/F03
3/4"	16	86.6	74.6	9	44.7	99	6	6	177	44.1	F04/F03
1"	20	183	94.3	11	50.8	11.5	6	7	177	55.1	F05/F04
1 1/4"	25	118.2	100	11	57.7	11.5	6	7	205	60.7	F05/F04
1 1/2"	32	125.8	115.7	14	62.7	15.1	7	9	225	75.2	F07/F05
2"	38	149	124.9	14	74.6	15.1	7	9	225	84.4	F07/F05



Item	Part name	Material	Qty
1	body	ASTM 351 Gr.CF8M	1
2	cap	ASTM 351 Gr.CF8M	3
3	ball	ASTM 351 Gr.CF8M	1
4	ball seats	PTFE	4/1 set
5	stem	SS316	1
6	thrust washer	PTFE	1
7	end seals	PTFE	2/1 set
8	stem packing	PTFE	1 set
9	thrust washer	PTFE25XG/F	1
10	gland bush	SS304	1
11	bevelille washer	SUS304-CSP	2
12	stop	SS304	1
13	handle nut	SS304	1
14	washer	SS304	1
15	handle	SS304	1
16	handle sleeve	VINYL GRIP	1
17	stopper	SS304	1
18	screw	SS304	1
19	o-ring	VITON	1
20	end seals	PTFE	1
21	cap	ASTM 351 Gr.CF8M	1

SERIES 38

