

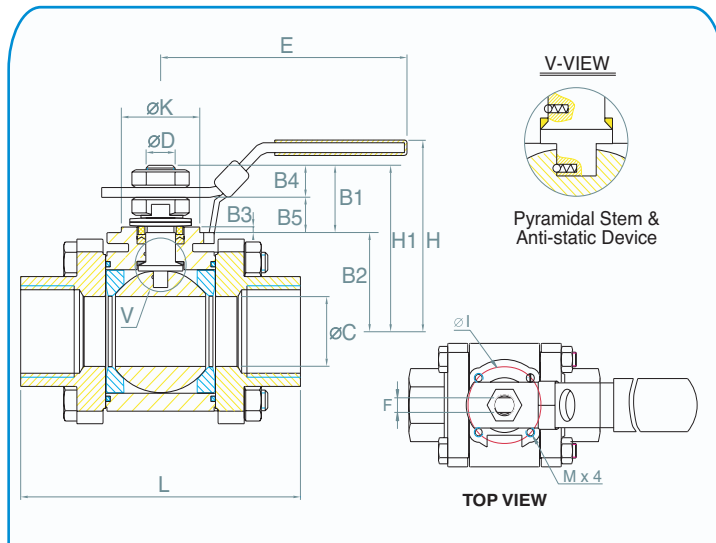
INDUSTRIAL BALL VALVES

3-PC HIGH PRESSURE SERIES



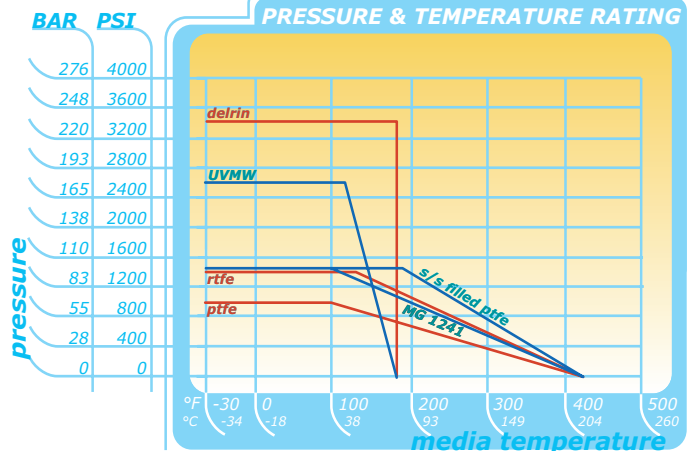
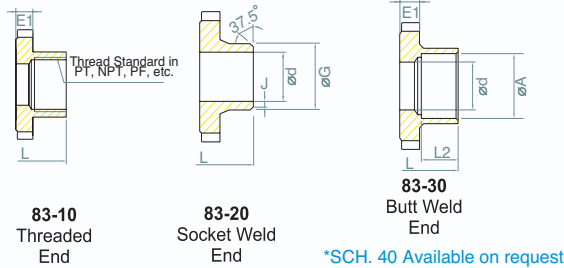
FEATURES/SPECIFICATIONS:

- ASTM 316 stainless construction
- Live loaded, blowout proof stem design
- High cycle life
- Reinforced teflon seats and 3pc "chevron" style packing
- High quality investment cast body and caps
- Full port design
- Anti-static device
- Locking handle is standard
- Suitable for automation
- Fire-safe tested per API 607 4th edition available
- Size: Full Bore 1/4" to 2" (DN8 to DN 50)
- Ends: Screwed, Socket Weld, Butt Weld
- Body: CF8M, WCB
- Ball & Stem: 316 S.S.
- Rating: 1/4" - 1" 2000 PSI
1-1/4" - 2" 1500 PSI



DIMENSIONS (mm)

SIZE	øA	B1	B2	B3	B4	B5	øC	øD	ød	E	E1	F	øG	H	H1	øI	J	øK	L	L2	M	M1	SO211	Wt. (kg)
1/4"	14.1	7.2	29.8	0.5	5.7	1.5	10	9.5	10	134	9.9	6.5	14.0	63.8	37	36	1.6	25	64.8	10	M5	29.5	F03	0.80
3/8"	17.6	7.2	29.8	0.5	5.7	1.5	10	9.5	10	134	9.9	6.5	17.5	63.8	37	36	1.6	25	64.8	10	M5	29.5	F03	0.80
1/2"	21.7	16.6	29	2	6.2	10.4	15	9.5	15	134	9.1	6.5	21.7	72	45.6	36	1.6	25	72.5	10	M5	30	F03	0.81
3/4"	27.3	18.4	33	2	7.5	10.9	20	9.5	20	134	11.4	6.5	27.5	76.4	51.4	36	1.6	25	85.4	13	M5	36	F03	1.27
1"	34.1	25.2	36	2	10.2	15	25	11.1	25	170	11.5	8.0	34.0	83	61.2	42	1.6	30	105.3	13	M5	44.5	F04	1.94
1 1/4"	42.8	24.2	40	2	8.2	16	32	11.1	32	170	12.2	8.0	42.7	88	64.2	42	1.6	30	111	13	M5	54	F04	2.65
1 1/2"	48.7	31.7	47.3	2.2	12.8	18.9	38	14.3	38	207	13	9.7	48.6	104.2	79	50	1.6	35	127.3	13	M6	60	F05	3.75
2"	61	25.5	69.5	1.5	11.3	14.2	50	14.3	50	207	11.3	9.7	60.5	121.7	95	50	1.6	35	142.8 R145	16	M6	73.2	F05	5.43



ERROR: rangecheck
OFFENDING COMMAND: .buildshading2

STACK:

-dictionary-
-dictionary-
-savelevel-