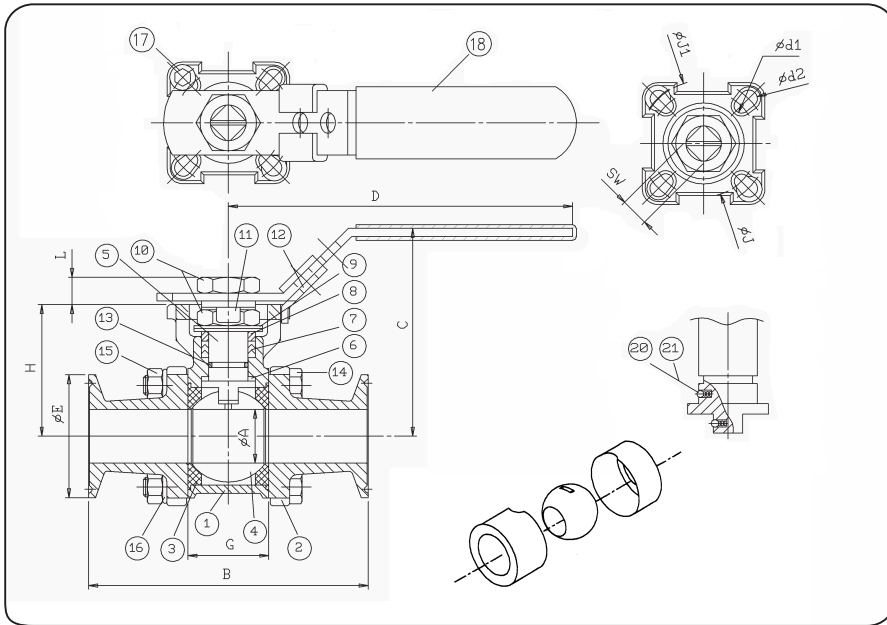


# SANITARY DIRECT MOUNT BALL VALVES

## 3-PC SANITARY SERIES



Item	Part name	Material	Qty
1	body	CF8M/316	1
2	end caps	CF8M/316	2
3	seats	PTFE	2
4	ball	SUS 316	1
5	stem	SUS 316	1
6	gasket	PTFE	1
7	seal	PTFE	1
8	gland ring	SUS 304	2
9	belleville spring washer	SUS 301	2
10	lever nut	SUS 304	1
11	locking tab	SUS 304	1
12	handle	SUS 304	1
13	o-ring	VITON	1
14	bolts	SUS 304	4
15	bolts nut	SUS 304	4
16	spring washer	SUS 304	4
17	stop screw	SUS 304	1
18	plastic coating	PVC	1
19	static device	SUS 316	2
20	spring	SUS 316	2

Size	A	B	C	D	E	G	H	L	J	J1	d1	d2	SW	ISO5211
1/2"	9.5	88.9	70.9	110	25.4	25.2	42.3	8	36	42	6	6	9	F03/F04
3/4"	15.9	101.6	73.4	110	25.4	27.7	44.8	8	36	42	6	6	9	F03/F04
1"	22.1	114.3	84.1	135	50.4	33	54	10	42	50	6	7	11	F04/F05
1 1/2"	34.8	139.7	109.5	165	50.4	49.3	73.5	14.8	50	70	7	9	14	F05/F07
2"	47.5	158.8	118.9	165	63.9	63.6	82.9	14.8	50	70	7	9	14	F05/F07

Size	A	B	C	D	E	G	H	L	J	J1	d1	d2	SW	ISO5211
2 1/2"	60.1	177.8	133.4	230	77.5	70	107	17.1	70	102	9	11	17	F07/F10
3"	73.1	228.6	160	300	90.9	102	117.3	17.1	70	102	9	11	17	F07/F10
4"	97.4	241.3	175.2	300	118.9	102	132.3	17.1	70	102	9	11	17	F07/F10
6"	146.8	393.7	216.2	500	166.8	188.5	216	26.8	102	125	12	14	27	F10/F12

OPTION : CAVITY FILLER

standard Grit	Ra		RMS		CLASS
	µin	µ	µin	µ	
240g	14-18	34-46	15-20	38-51	B
320g	8-10	21-25	9-11	23-28	A

MATERIAL LIST

24	WASHER	SUS 304	1
23	SCREW	SUS 304	1
22	SPRING	SUS 316	2
21	STATIC DEVICE	SUS 316	2
20	LOCKING TAB	SUS 304	1
19	O RING	VITON	2
18	CENTER RING	SUS 304	2
17	BOLTS NUT	SUS 304	12
16	SPRING WASHER	SUS 304	12
15	BOLTS	SUS 304	6
14	PLASTIC COATING	PVC	1
13	STOP SCREW	SUS 304	1
12	LEVER NUT	SUS 304	1
11	HANDLE	SUS 304	1
10	BELLEVILLE SPRING WASHER	SUS 301	2
9	GLAND RING	SUS 304	2
8	SEAL	PTFE	1
7	GASKET	PTFE+15%GF	1
6	BODY SEAL	PTFE	2
5	STEM	SUS316	1
4	BALL	CF8M/316	1
3	SEATS	PTFE	2
2	END CAPS	CF8M	2
1	BODY	CF8M	1
ITEM	PART NAME	EA-33NF-SN MATERIAL	QTY